

El Sistema De Torque y Tensión Industrial más confiable en el mundo

# SERIES EDGE™

Llave Hidráulica de cuadradillo y carraca de tres piezas



- Cuadradillo Universal deslizante que permite el cambio rápido para apriete/afloje
- Carraca exclusiva de tres piezas especial para Eólica.
- Ideal para trabajos de mantenimiento hasta 45.000 Nm
- Brazo de reacción giratorio de 360° grados para un ajuste perfecto.
- Tecnología de Conexión Universal para un libre movimiento y posicionamiento de la herramienta y mangueras.
- ¡La mejor relación precio/calidad del mercado!



**Servicio 24 Horas**

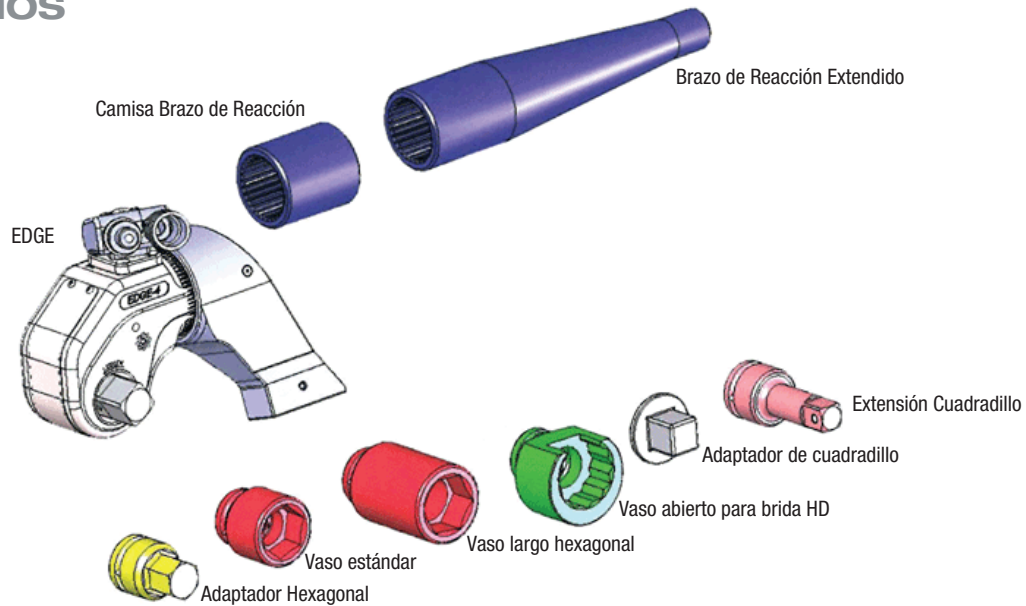
91 744 0355

[www.hytorc.es](http://www.hytorc.es)

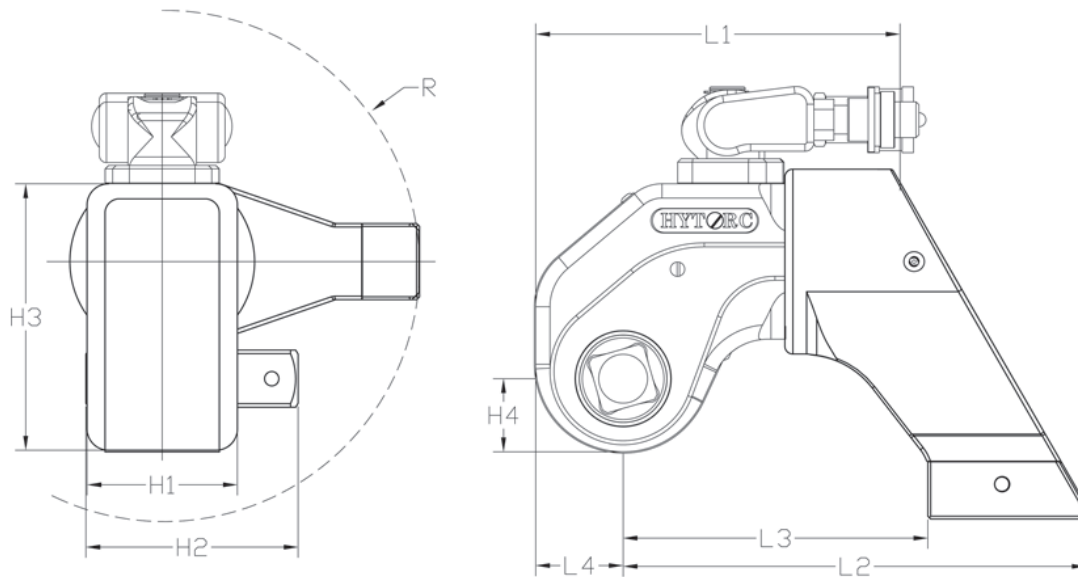
**HYTORC®**  
Since 1968

AVDA/ DE LAS AMÉRICAS, 4 BE  
ES28823 - COSLADA, MADRID

## ACCESORIOS



## DIMENSIONES



| SqD       | L1     | L2          | L3          | L4          | H1        | H2         | H3         | H4         | R         | Peso       | Par Min     | Par Max     |               |
|-----------|--------|-------------|-------------|-------------|-----------|------------|------------|------------|-----------|------------|-------------|-------------|---------------|
| Inches/mm |        |             |             |             |           |            |            |            |           | Lbs./kN.   | Ft. Lbs./Nm |             |               |
| EDGE-.5   | 3/4"   | 4.01/101.9  | 5.06/128.5  | 3.32/84.3   | 0.98/24.9 | 1.64/41.7  | 2.57/65.3  | 2.95/74.9  | 0.98/24.9 | 2.77/70.4  | 3.3/1.5     | 119/161     | 820/1,112     |
| EDGE-2    | 3/4"   | 4.94/125.5  | 6.23/158.2  | 4.12/104.6  | 1.18/30.0 | 1.97/50.0  | 2.75/69.9  | 3.53/89.7  | 0.99/25.1 | 3.37/85.6  | 4.05/1.8    | 177/240     | 1,244/1,687   |
| EDGE-4    | 1"     | 6.4/162.6   | 8.14/206.8  | 5.34/135.6  | 1.56/39.6 | 2.63/66.8  | 3.69/93.7  | 4.71/119.6 | 1.31/33.3 | 4.55/115.6 | 8.5/3.9     | 441/598     | 3,067/4,158   |
| EDGE-6    | 1-1/2" | 7.61/193.4  | 9.75/246.8  | 6.38/162    | 1.81/46.1 | 3.18/80.9  | 4.96/126.1 | 6.04/153.1 | 1.81/46.1 | 5.45/137.2 | 19.2/8.7    | 880/1193    | 6,130/8,311   |
| EDGE-8    | 1-1/2" | 8.67/220.2  | 11.45/290.8 | 7.64/194.1  | 2.11/53.6 | 3.57/90.7  | 5.16/131.1 | 6.57/166.9 | 1.85/47.0 | 6.07/154.2 | 20.05/9.1   | 1,224/1,660 | 8,518/11,549  |
| EDGE-12   | 1-1/2" | 9.56/242.8  | 12.13/308.1 | 7.98/202.7  | 2.34/59.4 | 3.95/100.3 | 5.55/141.0 | 7.07/179.6 | 1.96/49.8 | 6.08/154.4 | 25/11.4     | 1,643/2,227 | 10,953/14,850 |
| EDGE-30   | 2-1/2" | 13.71/348.2 | 17.11/434.6 | 11.48/291.6 | 3.33/84.6 | 5.64/143.3 | 8.21/208.5 | 10.1/256.5 | 2.79/70.9 | 8.94/227.1 | 64.7/29.4   | 4,428/6,004 | 29,523/40,027 |